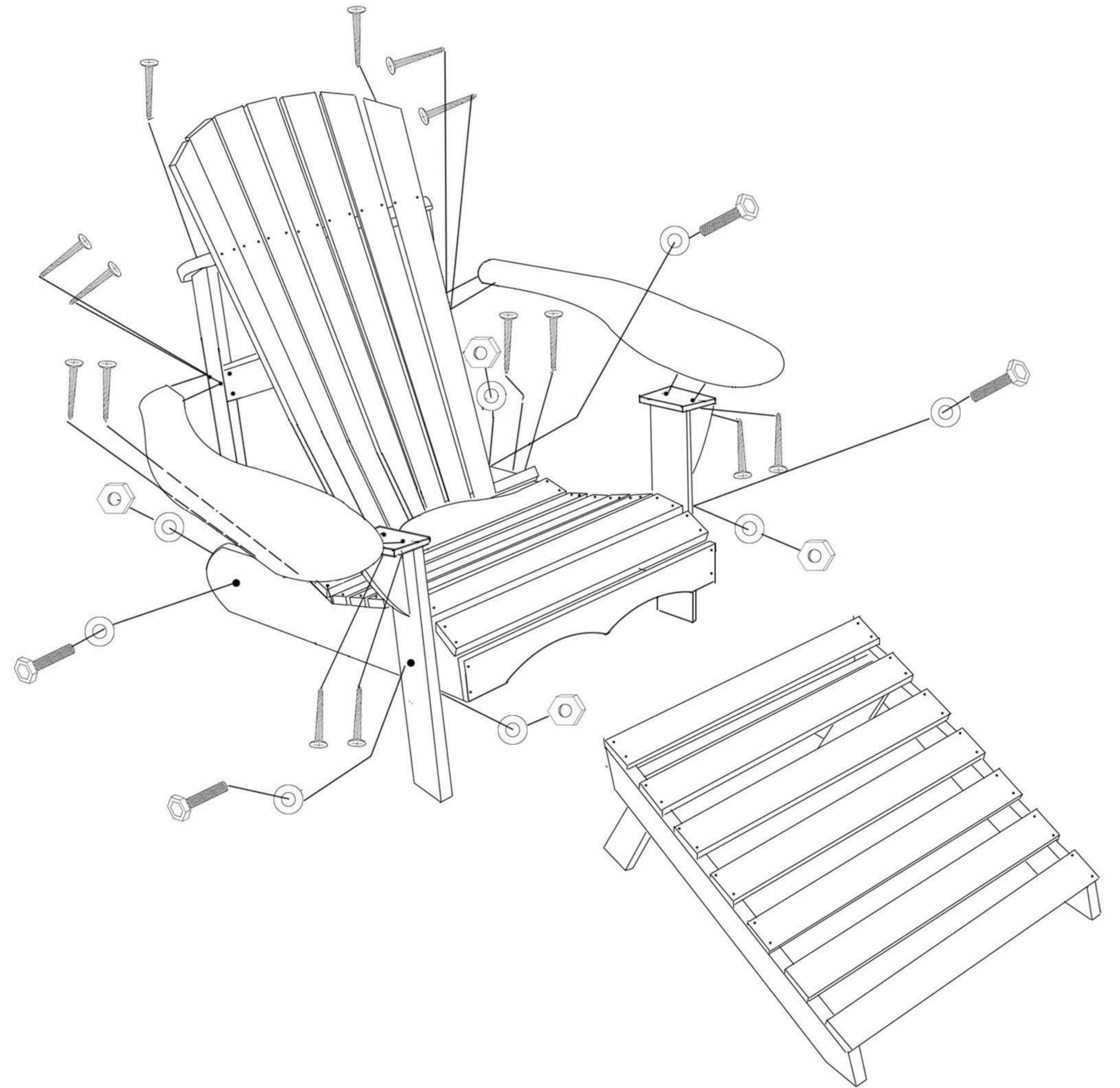
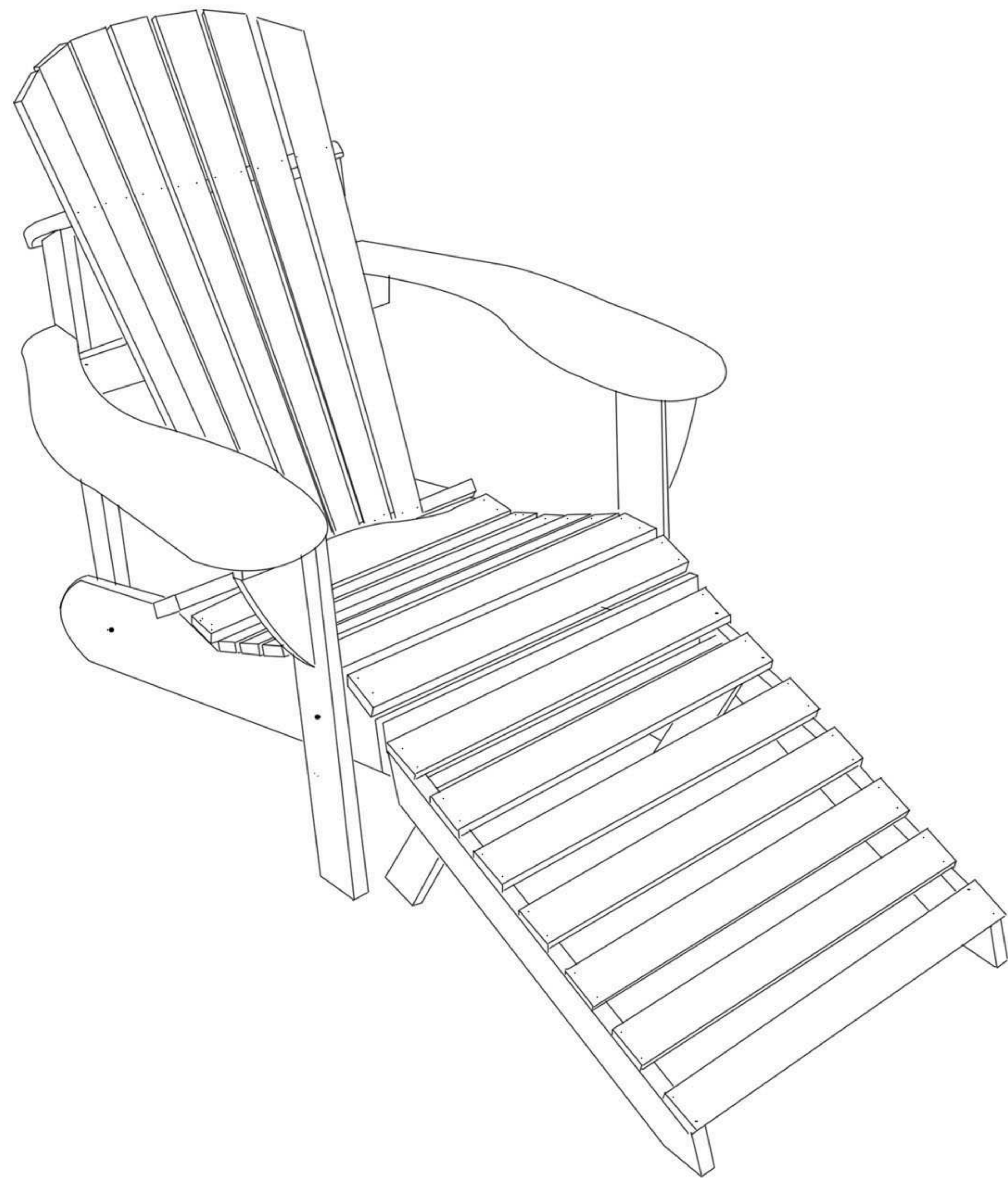


ADIRONDACK CHAIR

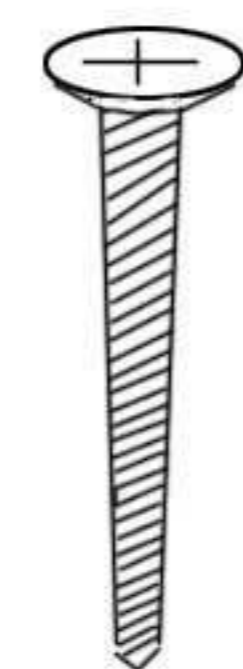
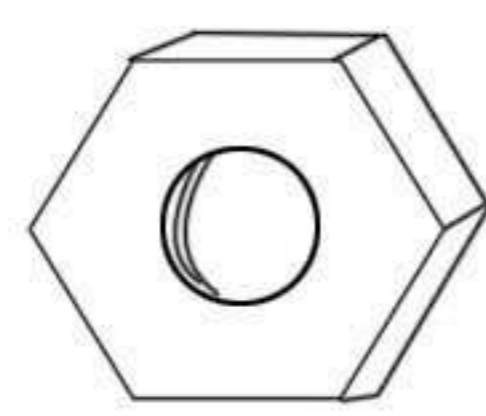
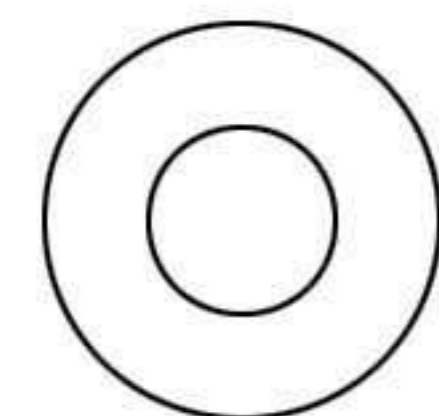
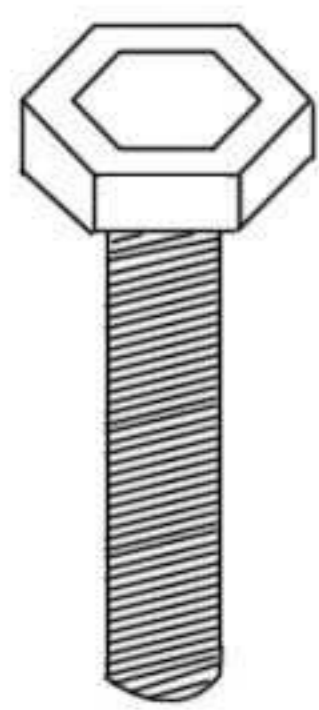


A

B

C

D



X4

X8

X4

X14

Use A,B,C and D to assemble the chair. There are guide holes for you to find the right position.